

# AMETHYST

DIAGRAM 1

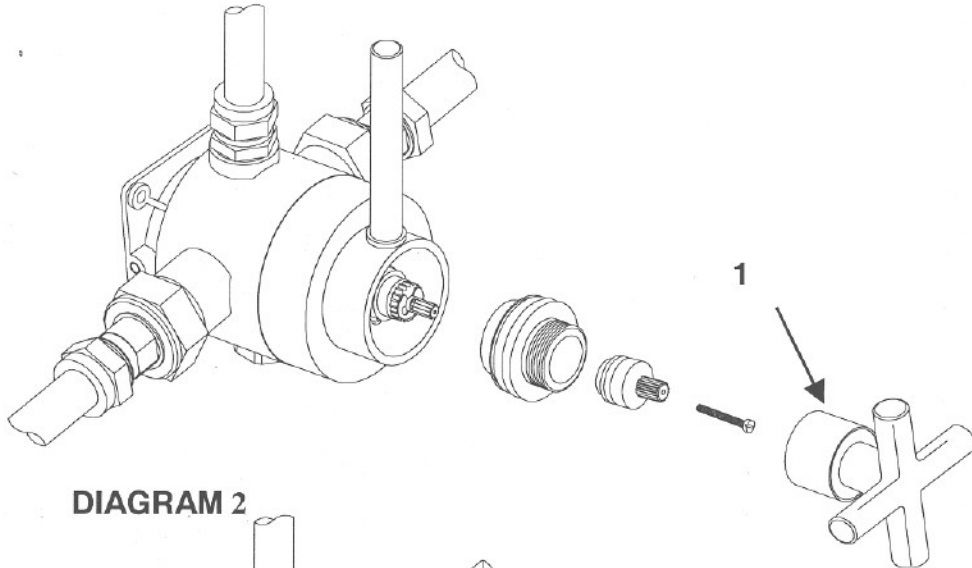
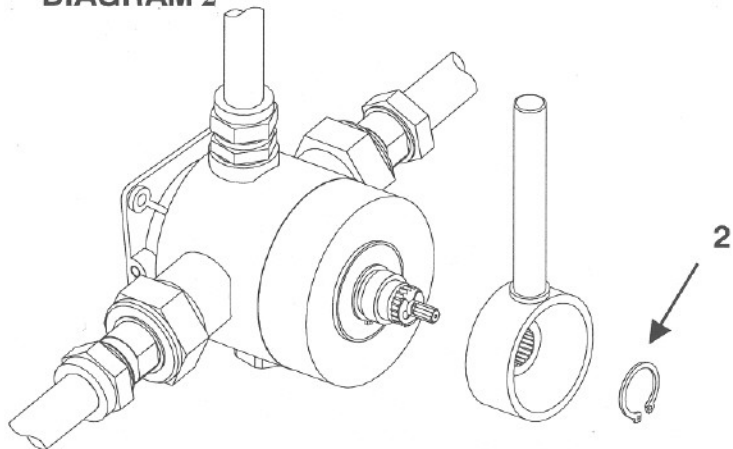


DIAGRAM 2



- REMOVAL OF CONTROL ASSEMBLY
- UNSCREW CONTROL KNOB SLEEVE (1) TO EXPOSE SCREW
- REMOVE SCREW AND PULL OFF SPINDLE EXTENSION
- PULL OUT SPACER (THIS CAN BE DONE BY RETURNING KNOB SLEEVE BACK INTO POSITION AND GENTLY PULLING AWAY FROM UNIT)
- REMOVE CIRCLIP (2) AND PULL OFF LEVER
- USING A 2.5MM ALLEN KEY REMOVE GRUB SCREW AND PULL OFF BODY SLEEVE