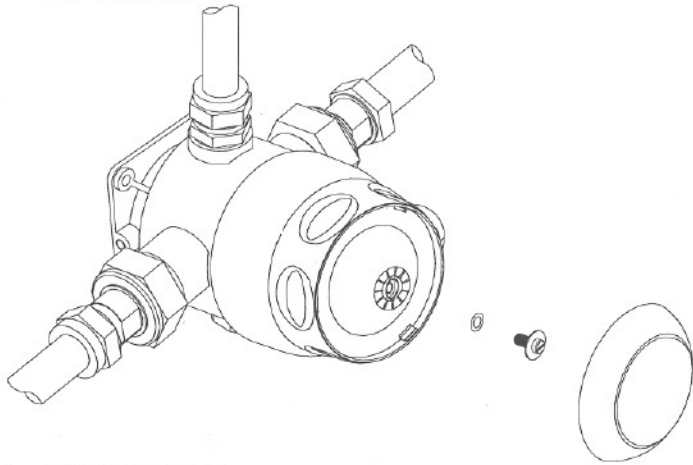


TS1600, CALVUS

DIAGRAM 1



- REMOVAL OF CONTROL KNOB
- ENSURE CONTROL SETTINGS ARE IN THE 'OFF' POSITION
- PRISE OUT INDICE, REMOVE SPINDLE SCREW & 'O' RING AS PER DIAGRAM 1
- PULL OFF CONTROL KNOB AS PER DIAGRAM 2
- FOR CONCEALED UNITS ONLY REMOVE CONCEALING PLATE
- PULL OFF SLEEVE. AS PER DIAGRAM 3

DIAGRAM 2

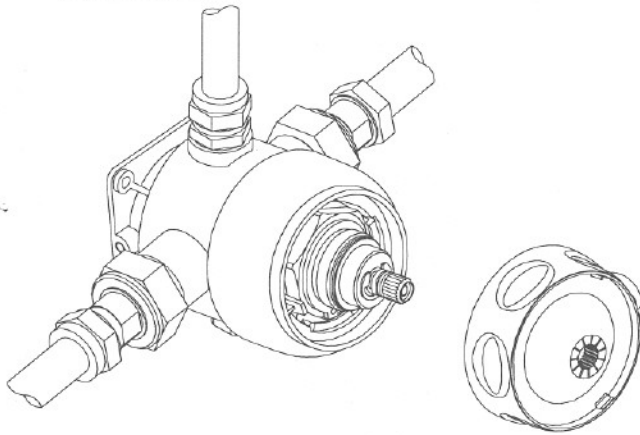


DIAGRAM 3

