

TS1600,CALVUS, DIAMOND,TURQUIOSE,OPAL

DIAGRAM 1

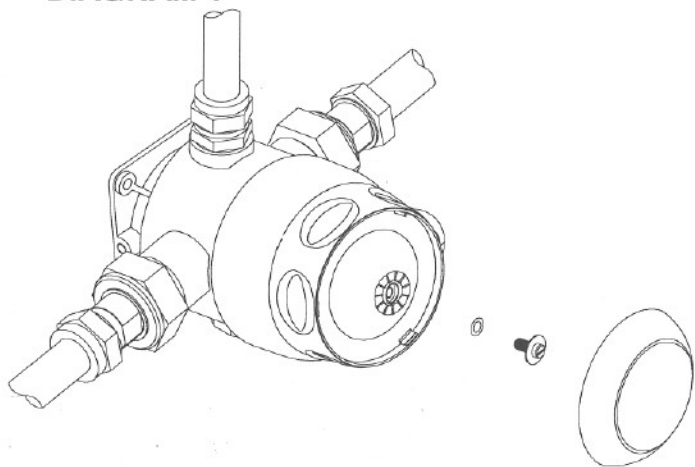
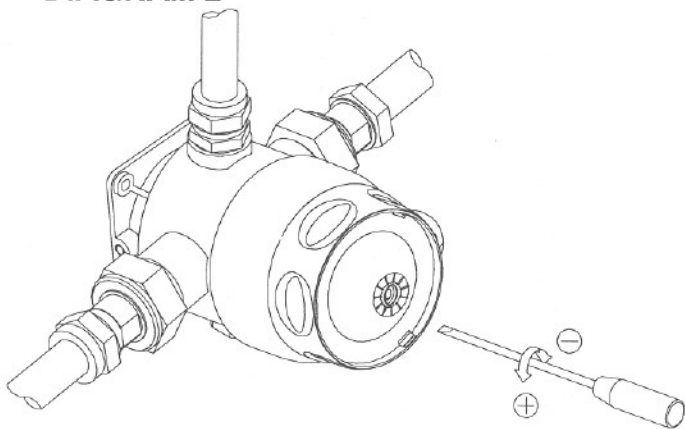


DIAGRAM 2



- TO ADJUST MAXIMUM SET TEMPERATURE
- USING A SUITABLE TOOL, REMOVE THE CENTRE INDICE TO REVEAL THE RETAINING SCREW
- TURN THE SHOWER CONTROL FULLY ANTI CLOCKWISE TO THE MAXIMUM TEMPERATURE POSITION 9.
- NOTE: WATER WILL FLOW FROM THE CENTER HOLE - THIS IS NORMAL
- USING A SMALL THIN BLADED SCREWDRIVER, LOCATE THE TEMPERATURE ADJUSTING SCREW.
- TO INCREASE THE TEMPERATURE TURN ANTI CLOCKWISE. TO DECREASE THE TEMPERATURE TURN CLOCKWISE
- ONCE THE DESIRED TEMPERATURE IS SET REPLACE THE RETAINING SCREW.
- TURN OFF THE SHOWER AND REPLACE THE INDICE ENSURING SLOT IS ALIGNED WITH LOCATION KEY