

TS1500, TS1503, OPAC, DELUXE, MIXAGE, GRAPHITE

DIAGRAM 1

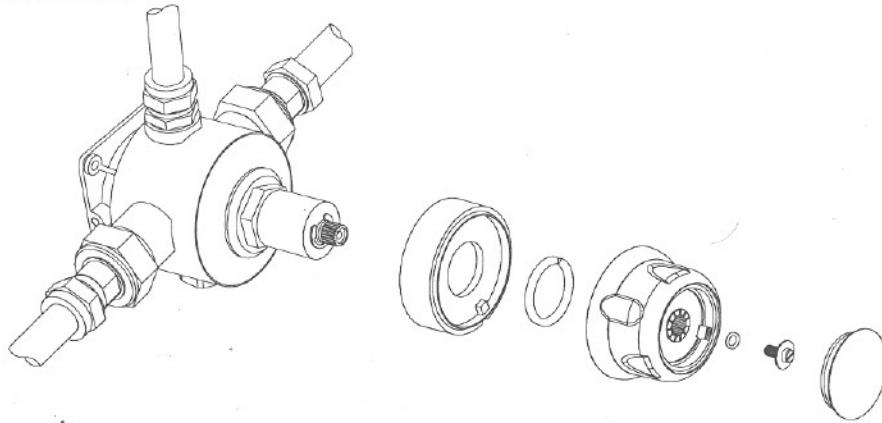
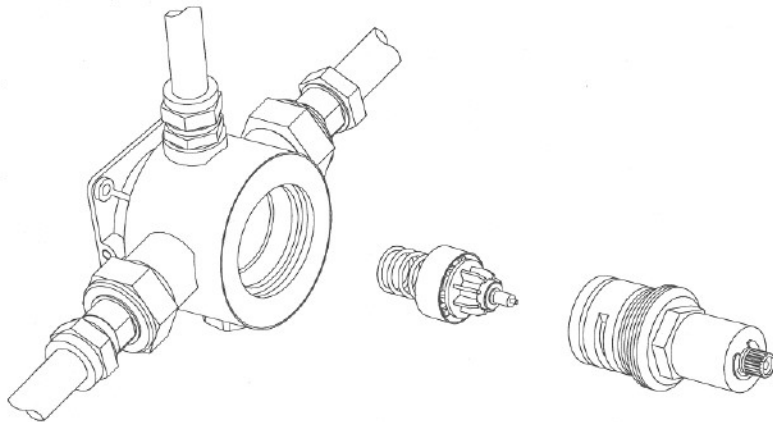


DIAGRAM 2



- REMOVAL OF CARTRIDGE FROM VALVE
- REMOVE INDICE, RETAINING SCREW, CONTROL KNOB AND SLEEVE (SEE: REMOVAL OF CONTROL KNOB) AS PER DIAGRAM 1
- USING A SPANNER OR 29 x 80MM SOCKET REMOVE HEAD FROM VALVE BODY(STANDARD RIGHT HAND THREAD). AS PER DIAGRAM 2
- REMOVE THERMOSTAT, PISTON AND RETURN SPRING. AS PER DIAGRAM 2