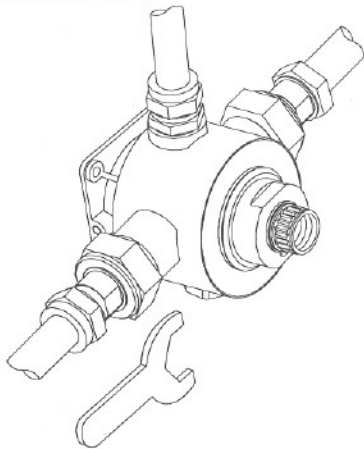
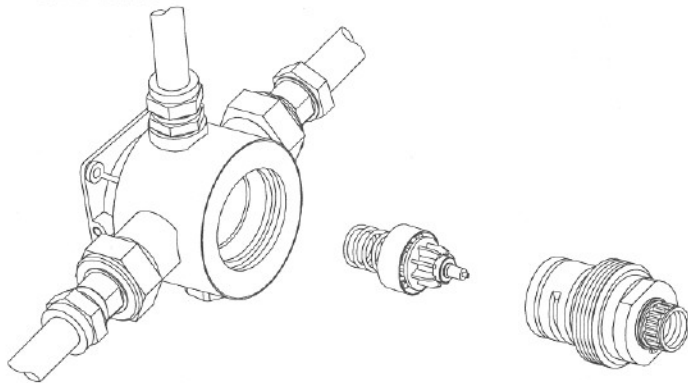


# TS1400

**DIAGRAM 1**



**DIAGRAM 2**



- TO REMOVE CARTRIDGE FROM VALVE BODY
- REMOVE CONTROL KNOB (SEE REMOVAL OF CONTROL KNOB)
- USING A 32MM SPANNER OR SOCKET ON HEXAGON NUT (STANDARD RIGHT HAND THREAD)
- REMOVE THERMOSTAT, PISTON AND RETURN SPRING